



AND711AST-30/-EO

240 x 64 Dots

Intelligent Graphic Display

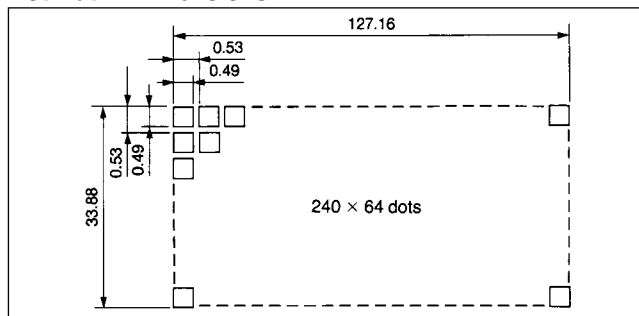
The AND711AST-30/-EO is a full dot matrix LCD module including an LCD controller and display RAM. This device can display graphic patterns and symbols and is suitable for a message display for various instruments such as business machine terminals.

Features

• RoHS Compliant

- Super twist
- 40 character x 8 line capability
- Excellent readability and high contrast ratio
- 8-bit parallel bus for read/write data by CPU interface
- Built-in LCD controller and display RAM (8k byte)
- Character mode, graphic mode, and character and graphic combination mode
- RoHS compliant
- Wide operating temperatures range (0°C to +50°C)
- Compact and easily mounted on any equipment
- User-selectable font—6 x 8 or 8 x 8
- Available with EL backlighting attached (-EO option)

Dot Matrix Dimensions



Mechanical Characteristics

Item	Specification	Unit
Outline Dimensions	180 (W) x 65 (H) x 10 (D)	mm
Number of Dots	240 (W) x 64 (H)	
# of Characters	40 x 8 (320) Characters 6 x 8 dot format, alpha-numeric	
Viewing Area	132 (W) x 39 (H)	mm
Bezel Opening	132 (W) x 39 (H)	mm
Dot Size	0.49 (W) x 0.49 (H)	mm
Dot Pitch	0.53 (W) x 0.53 (H)	mm
Weight (approx.)	120/150 (ST/EO)	gram

Absolute Maximum Ratings

Item	Symbol	Rating	Unit
Supply Voltage	V_{DD}	5.5	V
	V_{EE}	-19	
EL Drive Voltage ($f_{EL} = 1$ kHz)	V_{EL}	130	V_{rms}
Input Voltage	V_{IN}	$-0.3 \leq V_{IN} \leq +0.3$	V
Operating Temperature	T_{op}	0 to +50	°C
Storage Temperature	T_{stg}	-20 to +70	°C
EL Driving Freq. (EO)	f_{EL}	1	kHz

Electrical Characteristics (TA = 25°C)

Item	Symbol	Min.	Typ.	Max.	Unit
Supply Voltage	V_{DD}	4.5	5.0	5.5	V
	V_{EE}	-5.75	-8.5	-11.5	
High Level In Voltage ($V_{DD} = 5.0V$)	V_{IN}	2.8	-	5	V
Low Level In Voltage ($V_{DD} = 5.0V$)	V_{IL}	-	-	0.8	
High Level Output Volt. ($V_{DD} = 5.0V$)	V_{OH}	$V_{DD} - 0.3$	-	-	V
Low Level Output Volt. ($V_{DD} = 5.0V$)	V_{OL}	-	-	0.3	V
Power Consumption ⁽¹⁾	I_{DD}	-	16.0	25.0	mA
	I_{EE}	-	2.4	3.0	
	I_{EL}	-	4.0	10	

1. All dots on. ($V_{DD} = .5V$, $V_{EE} = -8.5V$, $V_{EL} = 110$, $f_{EL} = 500$ Hz or at Typ.)
2. mA rms

Product specifications contained herein may be changed without prior notice. It is therefore advisable to contact Purdy Electronics before proceeding with the design of equipment incorporating this product.



AND711AST-30/-EO Intelligent Graphics Display

Optical Characteristics (TA = 25°C, φ = 0°, θ = 0)

Item	Symbol	Min.	Typ.	Max.	Unit
Viewing Angle	Right to Left	-	80	-	degree
	Up & Down	-	55	-	
Contrast	K	2.5	4.8	-	-
Turn On	T _{on}	-	200	350	ms
Turn Off	T _{off}	-	250	300	ms

Note: Refer to Applications Section for definitions of viewing angle, contrast ratio, response time (on and off) and luminance.

Connector Pin Assignment

Pin No.	Signal	Function
1	FGND	Frame Ground (connected to metal bezel)
2	GND	Ground (signal)
3	V _{DD}	Power Supply for logic (5V)
4	V _{EE}	Power Supply for LCD Drive (-8.5 ±3V)
5	WR	Data Write
6	RD	Data Read
7	CE	Chip Enable
8	C/D	WR = "L", C/D = "H": Command Write WR = "L", C/D = "L": Data Write RD = "L", C/D = "H": Status Read RD = "L", C/D = "L": Data Read
9	NC	No connection
10	RESET	Controller Reset (Active Pullup Required)
11	D0	Data Input/Output
12	D1	Data Input/Output
13	D2	Data Input/Output
14	D3	Data Input/Output
15	D4	Data Input/Output
16	D5	Data Input/Output
17	D6	Data Input/Output
18	D7	Data Input/Output
19	FS	Font select. Open or connect to V _{DD} : 6 x 8 dot Connect to ground: 8 x 8 dot
20	NC	No connection

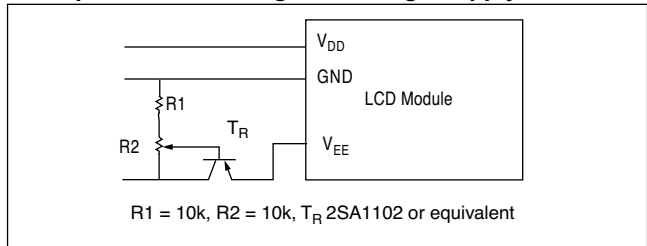
Power Supply

The LCD panel is driven by the voltage V_{DD}-V_{EE}, so an adjustable V_{EE} is required for contrast control and temperature compensation.

Temperature Variations

Temperature	V _{DD} -V _{EE}
0°C	13.9
+25°C	12.5
+50°C	10.8

Example of Variable Negative Voltage Supply

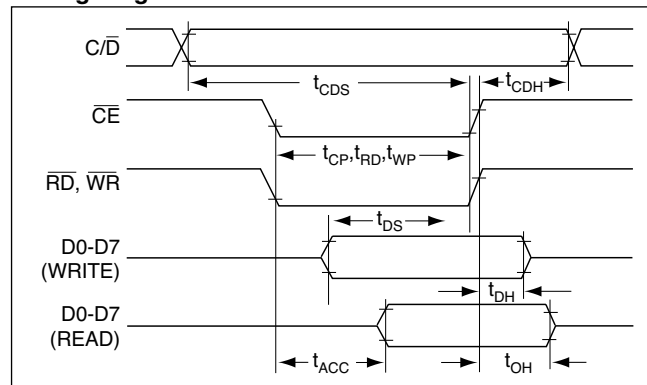


Timing Relationships and Diagram

Signal Timing Relationships

Item	Symbol	Min.	Max.	Unit
C/D Set Up Time	t _{CDS}	100	-	ns
C/D Hold Time	t _{CDH}	10	-	
CE, RD, WR Pulse Width	t _{CE} , t _{RD} , t _{WR}	80	-	
Data Set Up Time	t _{DS}	80	-	
Data Hold Time	t _{DH}	40	-	
Access Time	t _{ACC}	-	150	
Output Hold Time	t _{OH}	10	50	

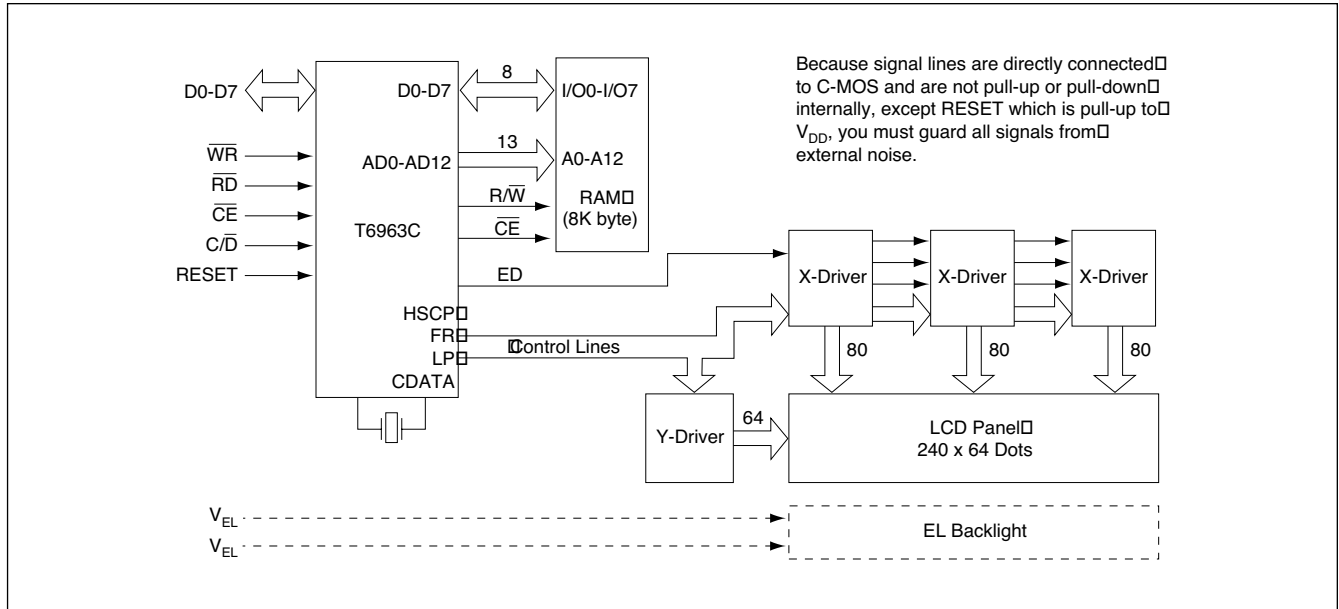
Timing Diagram





AND711AST-30/-EO Intelligent Graphics Display

Block Diagram



Dimensional Outline

