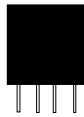


**CLASS 7
2 AMP SWITCHING
IN THE WORLDS
SMALLEST PACKAGE.
SPDT, DPDT.**

ACTUAL SIZE



The Class 7 Subminiature high reliability industrial grade relay has excellent R.F. switching characteristics.



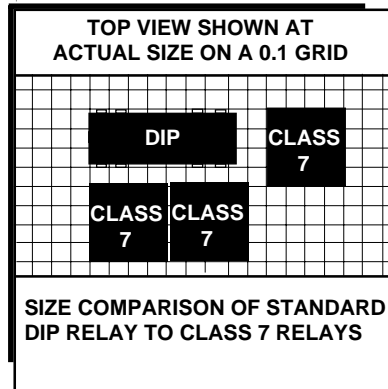
AVAILABLE WITH SPDT OR DPDT BIFURCATED GOLD CLAD SILVER-PALLADIUM CROSS BAR CONTACTS- RATED FOR LOW LEVEL TO 2.0 AMP SWITCHING.

REQUIRES ONLY .155 SQUARE INCH OF CIRCUIT BOARD SPACE.

TOTAL VOLUME OF LESS THAN A CUBIC CENTIMETER.

CONFORMS TO FCC PART 68.302. 1500 V PEAK SURGE RESISTANCE.

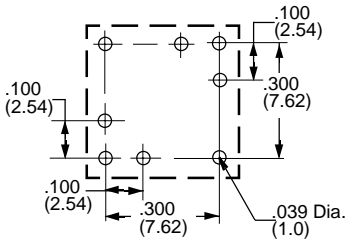
CONFORMS TO FCC PART 68.304. 1000 V DIELECTRIC WITHSTANDING VOLTAGE..



The Class 7 relays can be densely packed together without magnetic interaction from adjacent relays.

PC BOARD PATTERN

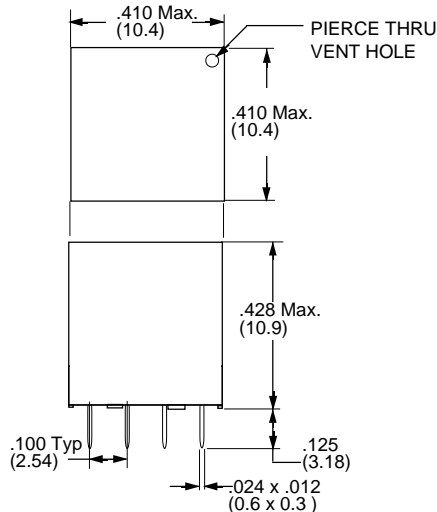
Drill Plan (TOP VIEW)



0.1 Grid Pattern

OUTLINE DIMENSIONS

Dimensions are in "INCHES" and (MILLIMETERS)



WIRING DIAGRAM

BOTTOM VIEW

